




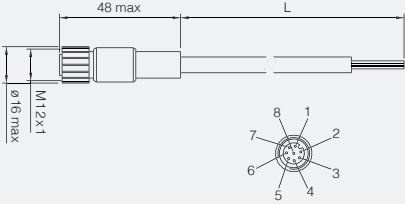
Safety light Curtains

Accessories


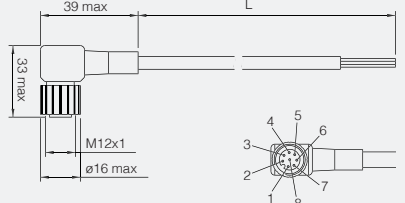


connectors


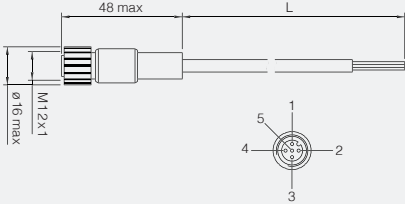
CD12M/0E-***A1 / M12 8 poles axial female connector with PVC cable

product	to be used with	dimensions (mm)	description / installation
	<p>Safety light Curtains</p> <ul style="list-style-type: none"> • LS2 STANDARD (TX) • LS4 STANDARD (TX) • LP4ER/0*-***L12 (RX) • LP4PF <p>Safety Sensors</p> <ul style="list-style-type: none"> • SH e TH • SH-IC e TH-IC 		<p>M12 8 poles axial female connector with PVC cable. Cable length is represented by *** digits:</p> <p>050 : 5 m 100 : 10 m 150 : 15 m 250 : 25 m 400 : 40 m</p>


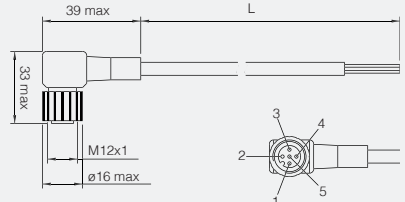
CD12M/0E-***C1 / M12 8 poles 90° female connector with PVC cable

product	to be used with	dimensions (mm)	description / installation
	<p>Safety light Curtains</p> <ul style="list-style-type: none"> • LS2 STANDARD (RX) • LS4 STANDARD (RX) • LP4ER/0*-***L12 (RX) • LP4PF 		<p>M12 8 poles 90° female connector with PVC cable. Cable length is represented by *** digits:</p> <p>050 : 5 m 100 : 10 m 150 : 15 m</p>


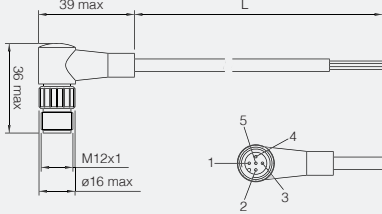
CD12M/0H-***A3 / M12 5 poles axial female connector with PVC cable

product	to be used with	dimensions (mm)	description / installation
	<p>Safety light Curtains</p> <ul style="list-style-type: none"> • LS2 BASE (TX e RX) • LS2 STANDARD (TX) • LS4 BASE (TX e RX) • LS4 STANDARD (TX) <p>Safety Sensors</p> <ul style="list-style-type: none"> • SH e TH • SH-IC e TH-IC 		<p>M12 5 poles axial female connector with PVC cable. Cable length is represented by *** digits:</p> <p>050 : 5 m 100 : 10 m 150 : 15 m 250 : 25 m 500 : 50 m</p>


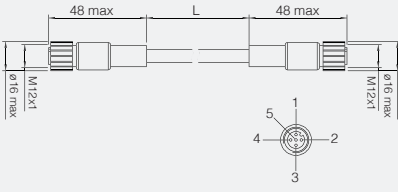
CD12M/0H-***C3 / M12 5 poles 90° female connector with PVC cable

product	to be used with	dimensions (mm)	description / installation
	<p>Safety light Curtains</p> <ul style="list-style-type: none"> • LS2 BASE (TX e RX) • LS2 STANDARD (TX) • LS4 BASE (TX e RX) • LS4 STANDARD (TX) <p>Safety Sensors</p> <ul style="list-style-type: none"> • SH e TH • SH-IC e TH-IC 		<p>M12 5 poles 90° female connector with PVC cable. Cable length is represented by *** digits:</p> <p>050 : 5 m 100 : 10 m 150 : 15 m</p>


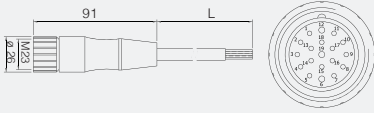
CD12M/0H-050D1 / M12 5 poles axial female connector

product	to be used with	dimensions (mm)	description / installation
	<p>Safety light Curtains</p> <ul style="list-style-type: none"> • LP4ER_M • LP4PT <p>To be used for Muting</p>		M12 5 poles axial female connector


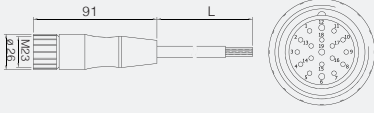
CDP12/0H-***AC / M12 5 poles axial female female plug

product	to be used with	dimensions (mm)	description / installation
	<p>Safety light Curtains</p> <ul style="list-style-type: none"> • LS2_M, LS2_S, LS2_F (MASTER-SLAVE) • LS4_M, LS4_S, LS2_F (MASTER-SLAVE) • LP4ER, LP4ER_M: connection TX alla LP/BOX-1 		<p>M12 5 poles axial female female plug.</p> <p>Cable length is represented by *** digits:</p> <p>003 : 0.3 m 030 : 3 m 050 : 5 m</p>


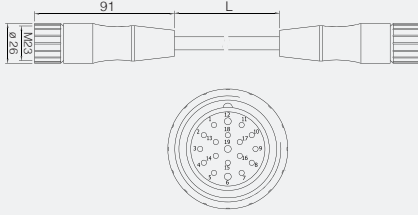
CD23M/0R-***A1 / M23 19 poles axial connector with PVC cable

product	to be used with	dimensions (mm)	description / installation
	<p>Safety light Curtains</p> <ul style="list-style-type: none"> • LP4ER/40_L • LP4ER_M (RX) • LP4PT (Unità attiva) 		<p>M23 19 poles axial connector with PVC cable.</p> <p>Cable length is represented by *** digits:</p> <p>030 : 3 m 050 : 5 m 100 : 10 m 150 : 15 m 200 : 20 m 300 : 30 m</p>

CD23M/0R-***A1LM / M23 19 poles axial connector with PVC cable and external Muting Lamp wire


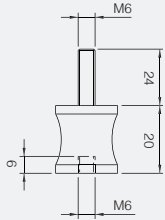
product	to be used with	dimensions (mm)	description / installation
	<p>Safety light Curtains</p> <ul style="list-style-type: none"> • LP4ER_M; • LP4_PT; 		<p>M23 19 poles axial connector with PVC cable and external Muting Lamp wire.</p> <p>Cable length is represented by *** digits:</p> <p>200 : 20 m 300 : 30 m</p>

CDP23/0R-***AC / M23 19 poles axial female female plug


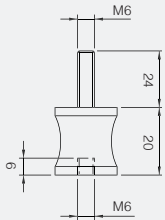
product	to be used with	dimensions (mm)	description / installation
	Safety light Curtains <ul style="list-style-type: none"> • LP4ER/40_L • LP4ER_M (RX) • LP4PT (active unit) To connect RX or Active Unit to LP/BOX-1		M12 5 poles axial female female plug. Cable length is represented by *** digits: 030 : 3 m 050 : 5 m 100 : 10 m

mounting brackets and anti-vibrating bumpers


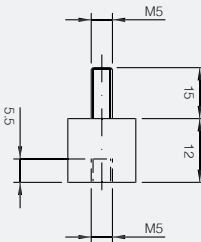
ST VP 4 / 4 pieces anti-vibrating bumpers kit

product	to be used with	dimensions (mm)	description / installation
	Safety light Curtains <ul style="list-style-type: none"> • LP4 		4 pieces anti-vibrating bumpers kit for LP4 Safety light Curtains


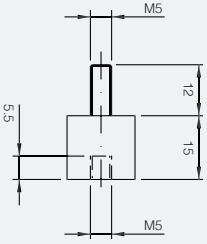
ST VP 6 / 6 pieces anti-vibrating bumpers kit

product	to be used with	dimensions (mm)	description / installation
	Safety light Curtains <ul style="list-style-type: none"> • LP4 		6 pieces anti-vibrating bumpers kit for LP4 Safety light Curtains


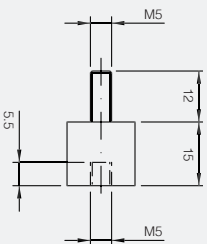
ST 4V S / 4 pieces anti-vibrating bumpers kit

product	to be used with	dimensions (mm)	description / installation
	Safety light Curtains <ul style="list-style-type: none"> • LS2 • LS4 		4 pieces anti-vibrating bumpers kit for LS4 Safety light Curtains 150 mm protected height models


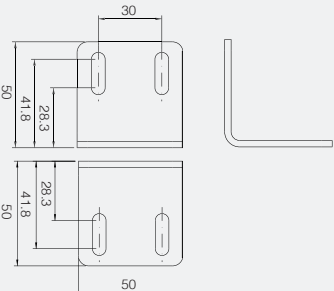
ST 8V S / 8 pieces anti-vibrating bumpers kit

product	to be used with	dimensions (mm)	description / installation
	Safety light Curtains <ul style="list-style-type: none"> • LS2 • LS4 		8 pieces anti-vibrating bumpers kit for LS4 Safety light Curtains 150...1,050 mm protected height models


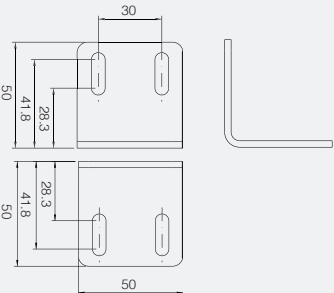
ST 12V S / 12 pieces anti-vibrating bumpers kit for LS4 Safety light Curtains

product	to be used with	dimensions (mm)	description / installation
	Safety light Curtains <ul style="list-style-type: none"> • LS2 • LS4 		12 pieces anti-vibrating bumpers kit for LS4 Safety light Curtains 1,200...1,800 mm protected height models


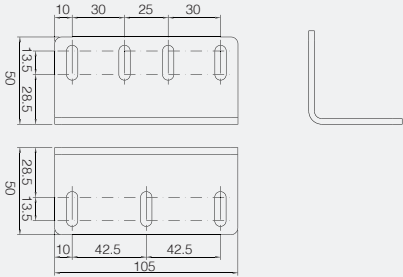
ST 201 4 / 4 pieces L short mounting brackets kit

product	to be used with	dimensions (mm)	description / installation
	Safety light Curtains <ul style="list-style-type: none"> • LP4 		4 pieces L short mounting brackets kit for LP4 Safety light Curtains


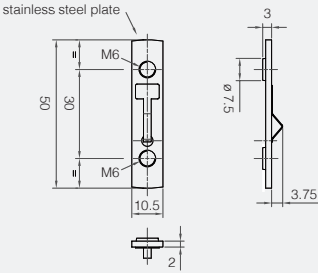
ST 201 6 / 6 pieces L short mounting brackets kit

product	to be used with	dimensions (mm)	description / installation
	Safety light Curtains <ul style="list-style-type: none"> • LP4 		6 pieces L short mounting brackets kit for LP4 Safety light Curtains


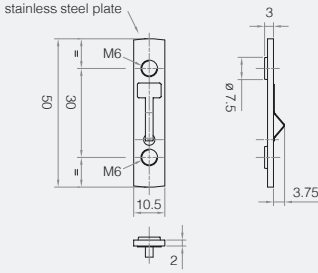
ST 202 4 / 4 pieces L curved mounting brackets for passive element

product	to be used with	dimensions (mm)	description / installation
			4 pieces L curved mounting brackets for passive element of LP4PF and LP4PT series

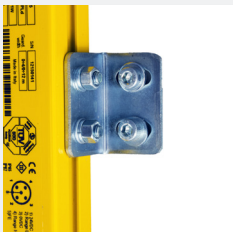
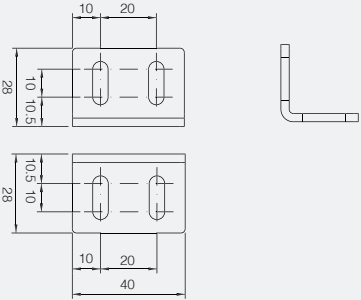
ST 203 4 / 4 pieces mounting nuts kit for LP4 Safety light Curtains

product	to be used with	dimensions (mm)	description / installation
	Safety light Curtains • LP4		4 pieces mounting nuts kit for LP4 Safety light Curtains


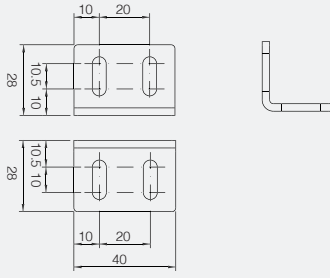
ST 203 6 / 6 pieces mounting nuts kit for LP4 safety light curtains

product	to be used with	dimensions (mm)	description / installation
	Safety light Curtains • LP4		6 pieces mounting nuts kit for LP4 Safety light Curtains


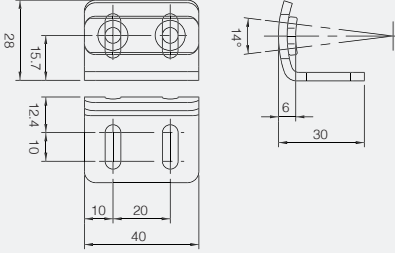
ST 204 4S / 4 pieces mounting brackets kit

product	to be used with	dimensions (mm)	description / installation
	Safety light Curtains • LS2 • LS4		4 pieces mounting brackets kit for LS2/LS4 Safety light Curtains


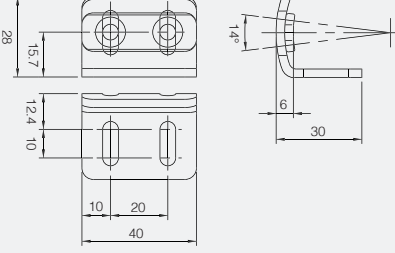
ST 204 6S / 6 pieces mounting brackets kit

product	to be used with	dimensions (mm)	description / installation
	Safety light Curtains • LS2 • LS4		6 pieces mounting brackets kit for LS2/LS4 Safety light Curtains


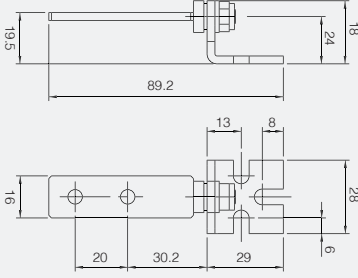
ST 206 4S / 4 pieces L curved mounting brackets kit

product	to be used with	dimensions (mm)	description / installation
	Safety light Curtains • LS2 • LS4		4 pieces L curved mounting brackets and nuts kit for LS2/LS4 Safety light Curtains to ease mechanical installation


ST 206 6S / 6 pieces L curved mounting brackets kit

product	to be used with	dimensions (mm)	description / installation
	Safety light Curtains • LS2 • LS4		6 pieces L curved mounting brackets and nuts kit for LS2/LS4 Safety light Curtains to ease mechanical installation

ST 207 S / 4 pieces rotating brackets kit


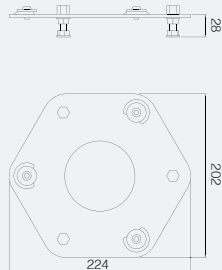
product	to be used with	dimensions (mm)	description / installation
	Safety light Curtains • LS2 • LS4		4 pieces rotating brackets and nuts kit for LS2/LS4 Safety light Curtains


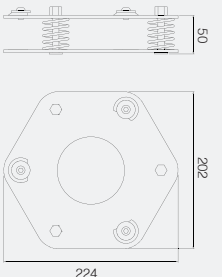
test rod

ST 2214 / 2220 / 2230 / 2240 / 2250			
product	to be used with	dimensions (mm)	description / installation
	Safety light curtains <ul style="list-style-type: none"> • LS4ER/14 • LS4ER/20 • LS2ER/30 • LS4ER/30 • LS2ER/40 • LS4ER/40 • LP4ER/40 		14 - 20 - 30 - 40 - 50 mm resolution test rod

model	BLACK painted aluminum pipe	
	Dim. "A" (mm)	Dim. "A" (mm)
ST 2214	∅ 14	1
ST 2220	∅ 20	1
ST 2230	∅ 30	1
ST 2240	∅ 40	1
ST 2250	∅ 50	1,5

protective columns for safety light curtains

ST F FIX / standard column base			
product	to be used with	dimensions (mm)	description / installation
	Columns for Safety series <ul style="list-style-type: none"> • ST CL*** • ST CLS*** 		Standard column base

ST FLEX / column base with load springs			
product	to be used with	dimensions (mm)	description / installation
	Safety light Curtains <ul style="list-style-type: none"> • ST CL*** • ST CLS*** 		Column base with load springs



Safety
Accessories

Accessories
Safety



product	to be used with	dimensions (mm)	description / installation																									
ST CL A	2 beams LP4 Safety light Curtains		Column for LP 2 beams light curtain																									
ST CL B	3 beams LP4 Safety light Curtains		Column for LP 3 beams light curtain																									
ST CL C	4 beams LP4 Safety light Curtains		Column for LP 4 beams light curtain																									
ST CL 17	LP4 Safety light Curtains h ≤ 1,700 mm		Column for h=1,700 mm LP light curtains																									
ST CL 20	LP4 Safety light Curtains h ≤ 2,000 mm		Column for h=2,000 mm LP light curtains																									
ST CL AP	Safety light Curtains LP4 2 beams		Column for 2 beams LP light curtains, with PG11 connection																									
ST CL BP	Safety light Curtains LP4 3 beams		Column for 3 beams LP light curtains, with PG11 connection																									
ST CL CP	Safety light Curtains LP4 4 beams		Column for 4 beams LP light Curtains, with PG11 connection																									
ST CL 17P	Safety light Curtains LP4 h ≤ 1,700 mm		<table border="1"> <thead> <tr> <th>models</th> <th>ST CL A</th> <th>ST CL B</th> <th>ST CL C</th> <th>ST CL 17</th> <th>ST CL 20</th> </tr> </thead> <tbody> <tr> <td>ST CL AP</td> <td></td> <td></td> <td></td> <td></td> <td></td> </tr> <tr> <td>QUOTE L' [mm]</td> <td>1,000</td> <td>1,200</td> <td>1,330</td> <td>1,700</td> <td>1,970</td> </tr> <tr> <td>QUOTE B' [mm]</td> <td colspan="5">55</td> </tr> </tbody> </table>	models	ST CL A	ST CL B	ST CL C	ST CL 17	ST CL 20	ST CL AP						QUOTE L' [mm]	1,000	1,200	1,330	1,700	1,970	QUOTE B' [mm]	55					Column for LP light curtains h = 1,700 mm, with PG11 connection
models	ST CL A		ST CL B	ST CL C	ST CL 17	ST CL 20																						
ST CL AP																												
QUOTE L' [mm]	1,000	1,200	1,330	1,700	1,970																							
QUOTE B' [mm]	55																											
ST CL 17P	Safety light Curtains LP4 h ≤ 1,700 mm		Column for LP light Curtains h = 2,000 mm, with PG11 connection																									

product	to be used with	dimensions (mm)	description / installation
ST AX	Safety light Curtains <ul style="list-style-type: none"> • LS2 • LS4 • LP4 		"Simple" Column for LP and LS light curtains



product	to be used with	dimensions (mm)	description / installation
ST CLS B	Safety light Curtains <ul style="list-style-type: none"> • LS2ER/0A • LS4 ER/0A • LS2ER/**-030(045)(060) • LS4ER/**-030(045)(060) 		Column for LS 2 beams light Curtain
ST CLS C	Safety light Curtains <ul style="list-style-type: none"> • LS2ER/0B(0C) • LS4 ER/0B(0C) • LS2ER/**-075 (090)(105) • LS4ER/**-075 (090)(105) 		Column for LS 3 and 4 beams light Curtain
ST CLS 17	Safety light Curtains <ul style="list-style-type: none"> • LS2ER/**-120 (135) • LS4ER/**-120 (135) 		Column for LS h = 1,700 mm
ST CLS 20	Safety light Curtains <ul style="list-style-type: none"> • LS2ER/**-150 • LS4ER/**-150 		Column for LS h = 2,000 mm
ST CLS BP	Safety light Curtains <ul style="list-style-type: none"> • LS2ER/0A • LS4 ER/0A • LS2ER/**- 030 (045)(060) • LS4ER/**- 030 (045)(060) 		Column for LS 2 beams light Curtain, with PG11 connection
ST CLS CP	Safety light Curtains <ul style="list-style-type: none"> • LS2ER/0B(0C) • LS4 ER/0B(0C) • LS2ER/**- 075 (090)(105) • LS4ER/**- 075 (090)(105) 		Column for LS 3 and 4 beams light Curtain, with PG11 connection
ST CLS 17P	Safety light Curtains <ul style="list-style-type: none"> • LS2ER/**- 120 (135) • LS4ER/**- 120 (135) 		Column h=1,700 mm for LS light Curtain, with PG11 connection
ST CLS 20P	Safety light Curtains <ul style="list-style-type: none"> • LS2ER/**- 150 • LS4ER/**- 150 		Column h=2,000 mm for LS light Curtain, with PG11 connection

model	ST CLS B	ST CLS C	ST CLS 17	ST CLS 20
	ST CLS BP	ST CLS CP	ST CLS 17P	ST CLS 20P
QUOTE 'L' [mm]	1,000	1,330	1,660	1,970
QUOTE B' [mm] with ST FLEX base	55			
QUOTE B' [mm] with ST FIX base	34			

deviating mirrors or columns with integrated mirrors

product	to be used with	dimensions (mm)	description / installation
SLA CL	Safety light Curtains • LS2 • LS4 • LP4	<ul style="list-style-type: none"> A b profile height and corresponding a mirror height B Total SL X CL height (without ST FIX or ST FLEX base) C Total SL X CL height with ST FIX base D Total SL X CL height with ST FLEX base E Max ST FLEX height from floor (load springs height) F Max ST FIX height from floor (blocks height) G Upper plate thickness including level ball H SL X CL base diameter I ST FIX or ST FLEX amount of space L ST FIX or ST FLEX amount of space a Mirror b Column housing c d Lower fixing plate for ST FLEX base e Upper fixing plate for ST FLEX where to mount SL X CL column or ST FIX ground fixing plate f Column fixing screws and orientating reference rings g ST FLEX inclination adjusting nuts or ST FIX reference plane inclination adjusting double nuts h Floor fixing nuts place 	Column with mirrors for 2 beams safety light curtain
SLB CL			Column with mirrors for 3 beams safety light curtain
SLC CL			Column with mirrors for 4 beams safety light curtain
SL 17 CL			Column with mirrors h = 1,700 mm
SL 20 CL			Column with mirrors h = 2,000 mm

model	QUOTE A ⁽¹⁾	QUOTE B ⁽²⁾	QUOTE C ⁽³⁾	QUOTE D ⁽⁴⁾	application
SL A CL	1,000	1,016	1,036	1,066	2 beams perimetral protection
SL B CL	1,200	1,216	1,246	1,256	3 beams perimetral protection
SL C CL	1,330	1,346	1,366	1,386	4 beams perimetral protection
SL 17 CL	1,700	1,716	1,736	1,756	Perimetral protection with height up to 1,360 mm
SL 20 CL	1,970	1,986	2,006	2,026	Perimetral protection with height up to 1,660mm

⁽¹⁾ Housing or mirror height ⁽²⁾ Total column height without base
⁽³⁾ Total height with ST FIX base ⁽⁴⁾ Total height with ST FLEX base


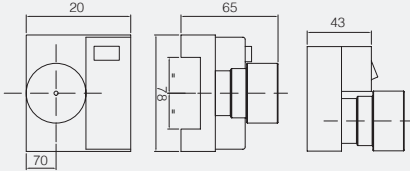


product	to be used with	dimensions (mm)	description / installation
SL 015	Safety light Curtains • LS2 • LS4 • LP4		Mirror for 160 mm protected height
SL 030			Mirror for 310 mm protected height
SL 045			Mirror for 460 mm protected height
SL 060			Mirror for 610 mm protected height
SL 075			Mirror for 760 mm protected height
SL 090			Mirror for 910 mm protected height
SL 105			Mirror for 1,060 mm protected height
SL 120			Mirror for 1,210 mm protected height
SL 135			Mirror for 1,360 mm protected height
SL 150			Mirror for 1,510 mm protected height
SL 165			Mirror for 1,660 mm protected height
SL 180			Mirror for 1,810 mm protected height


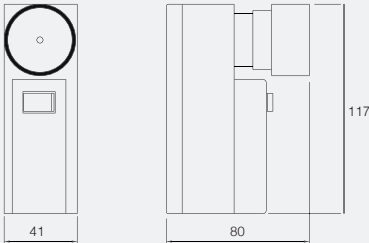
model	mirror	Safety light Curtain	
	H	protected height	type
SL 015	250	160	light Curtain
SL 030	400	310	
SL 045	540	460	
SL 060	715	610	2 beams
SL 075	885	760	light Curtain
SL 090	1,060	910	3 beams
SL 105	1,230	1,060	4 beams
SL 120	1,400	1,210	light Curtain
SL 135	1,450	1,360	
SL 150	1,600	1,510	
SL 165	1,750	1,660	
SL 180	1,900	1,810	

laser pointer

STL 01 P


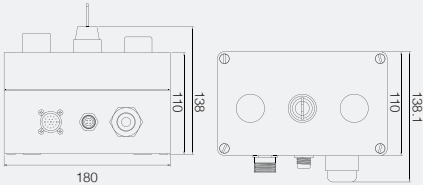
product	to be used with	dimensions (mm)	description / installation
	Safety light Curtains • LP4		Laser pointer for LP safety light Curtain

STL 01 S

product	to be used with	dimensions (mm)	description / installation
	Safety light Curtains • LS2 • LS4		Laser pointer for LS safety light Curtain

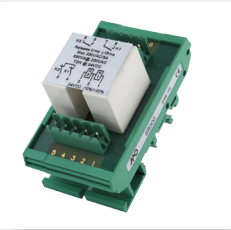
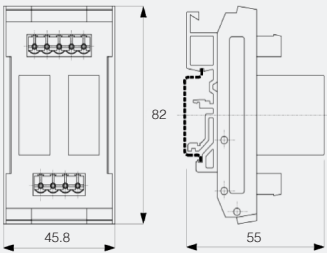
box d'interconnessione

LP / BOX - 1


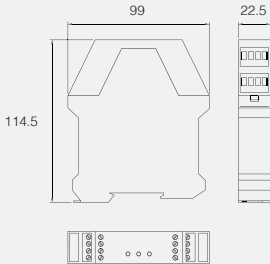
product	to be used with	dimensions (mm)	description / installation
	Safety light Curtains • LP4ER_M • LP4PT		Control box: Start, Override, Muting Lamp, M12 and M23 connectors, 2 NO + 1 NC Relay

relay modules / safety modules


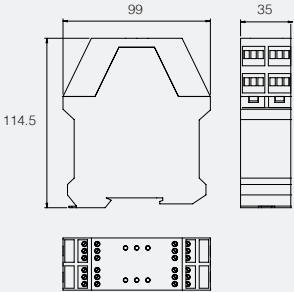
SB 300

product	to be used with	dimensions (mm)	description / installation
	Safety light Curtains • LS2 • LS4 • LP4		Force guided relay module

SB 400


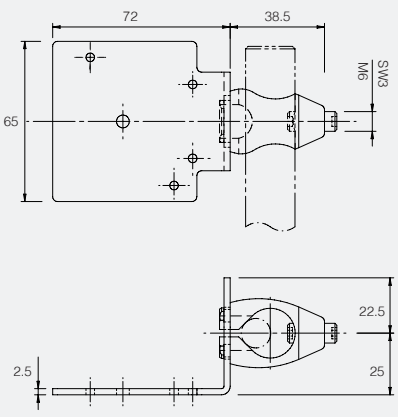
product	to be used with	dimensions (mm)	description / installation
	Safety light Curtains • LS2 • LS4 • LP4		Cat. 4 Safety Module

SB 400M


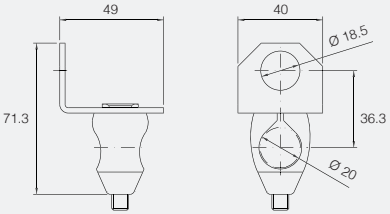
product	to be used with	dimensions (mm)	description / installation
	Safety light Curtains • LS2 • LS4		Cat. 4 Safety Module with integrated Muting function

SBCR03 and SH-IA/IC TH-IA/IC accessories series

STC 00

product	to be used with	dimensions (mm)	description / installation
	RL110,116,113G reflectors		RL110,116,113G bracket for cylindrical rod

STC 18

product	to be used with	dimensions (mm)	description / installation
	SH-IA/IC, TH-IA/IC safety photocells		SH-IA/IC, TH-IA/IC bracket for cylindrical rod